

Datasheet



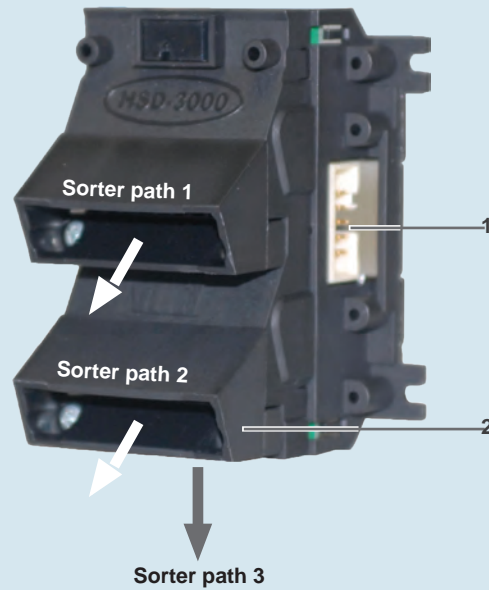
3-Way High-Speed Sorter

s² HSD-3000

The s² HSD-3000 (order no. 30500) is a 3-way high-speed sorter and used as accessory for NRI coin validators in applications with quick coin acceptance and sorting.

Overview

- 1 Interface – coin validator
- 2 Sorting chute



Properties and application

- 3 sorter paths
- Quick coin sorting in free fall
- Reliable sorting due to monitored sorter paths
- Sorting into cash box possible (Sorter path 3)
- For NRI coin validators v² falcon, v² colibri, G-13.mft, v² pelicano
- Can be controlled and configured through coin validator

Function

The s² HSD-3000 is used to sort the coins accepted by a coin validator into a downstream coin payout system (e.g. hopper) or into the machine cash box via up to three sorter paths.

Technical data

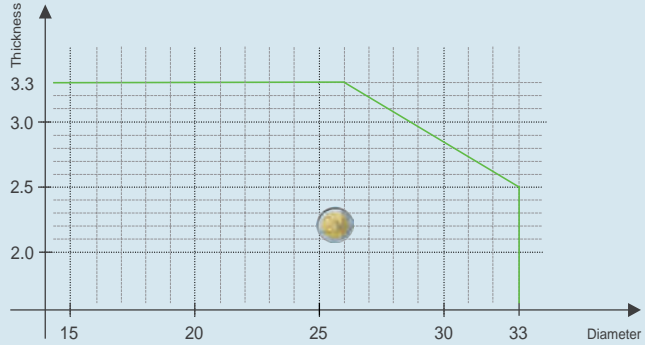
Supply voltage	10V to 16V DC
Temperature range	0 °C to 55 °C
Temperature change	Max. 0.2 °C/min.
Rel. humidity	15% to 93%
Condensation	Not permitted



Coin processing

Diameter: up to 33.0mm
Thickness: up to 3.3mm

Coin passage diagram



Dimensions (approx.)

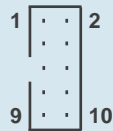
Height: 77mm
Width: 62mm
Depth: 57mm

Mounting position

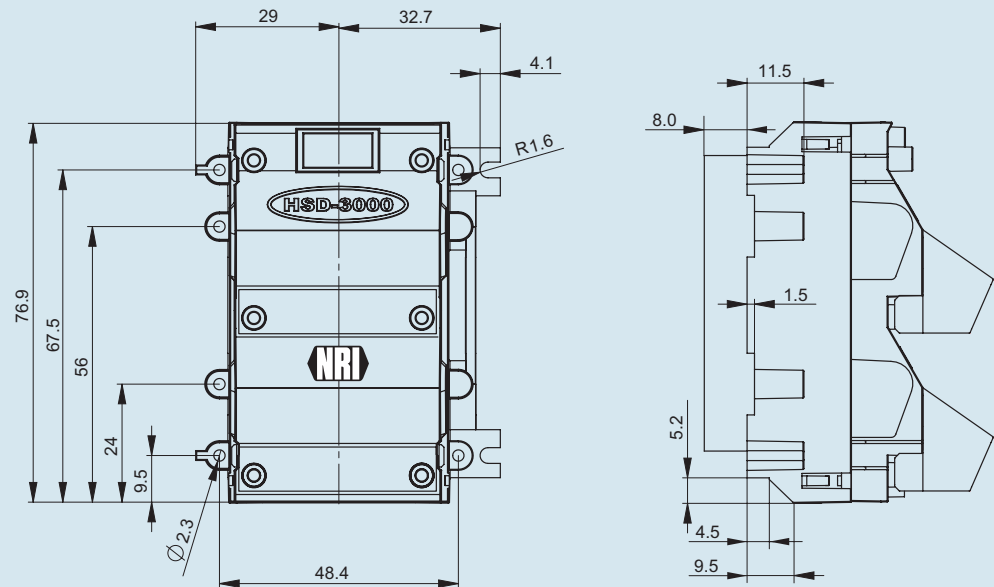
Vertical, max. deviations: $\pm 2^\circ$

Interface

- Pin 1 Ground (GND)
- Pin 2 Supply voltage 10V to 16V DC
- Pin 3 Bottom sorting gate (sorter path 2)
- Pin 4 Top sorting gate (sorter path 1)
- Pin 5 nc
- Pin 6 Supply voltage, sorting gates 10V to 16V DC
- Pin 7 Sensor, coin entry (npn transistor, I_{max} (collector) = 1mA)
- Pin 8 Sensor, coin outlet (npn transistor, I_{max} (collector) = 1mA)
- Pin 9 Light barrier, bottom sorting gate (npn transistor, I_{max} (collector) = 1mA)
- Pin 10 Light barrier, top sorting gate (npn transistor, I_{max} (collector) = 1mA)



Mounting dimensions



Additional technical documentation

All NRI product descriptions, e.g., for our coin validators are available as PDF at www.cranepi.com (NRI-Support).