

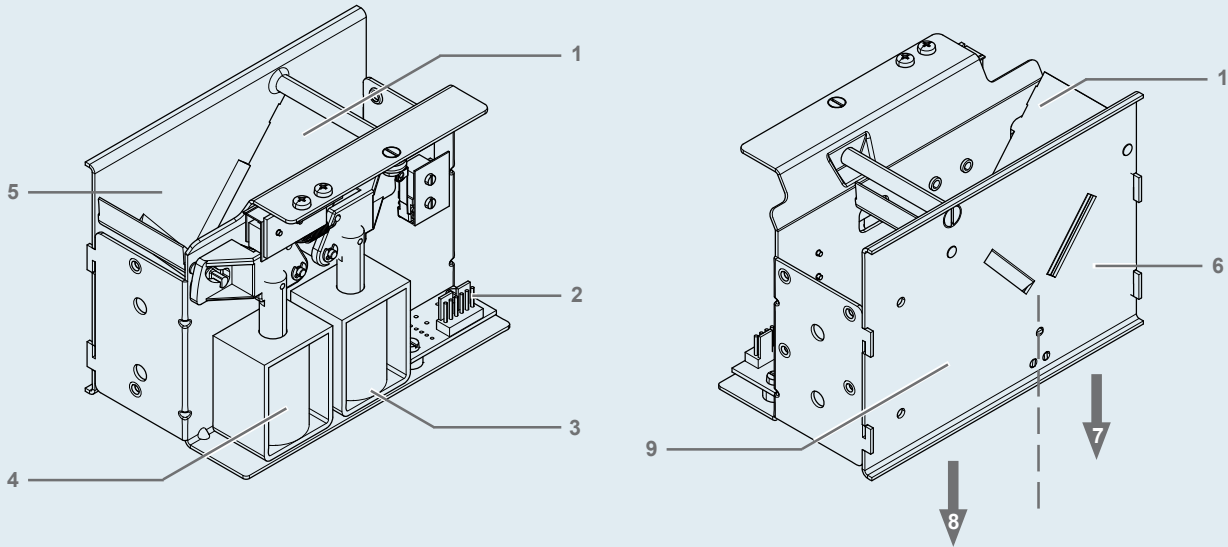
Datasheet



currenza e² (escrow)

The currenza e² is not only escrow but also a coin deflector. It collects all the coins inserted, before directing them either into the machine cash-box or into the return area for the customer.

Overview



- 1 Sorting flap
- 2 Interface – machine
- 3 Solenoid – return area
- 4 Solenoid – cash-box
- 5 Coin collecting hopper

- 6 Cash-box chute
- 7 Coin outlet – cash-box
- 8 Return chute
- 9 Coin outlet – return area

Models

Depending on its application the currenza e² is available in two different models:

- for a supply voltage of 12V DC (ordering code 21589)
- for a supply voltage of 24V DC (ordering code 19884)

Properties

- Robust metal housing
- Reliable coin routing due to monitored sorting flaps in cash-box and return chute
- Capacity of 230g of all circulating coins (approx. 30 x 0.50-EUR or 25 x 2.00-EUR coins)



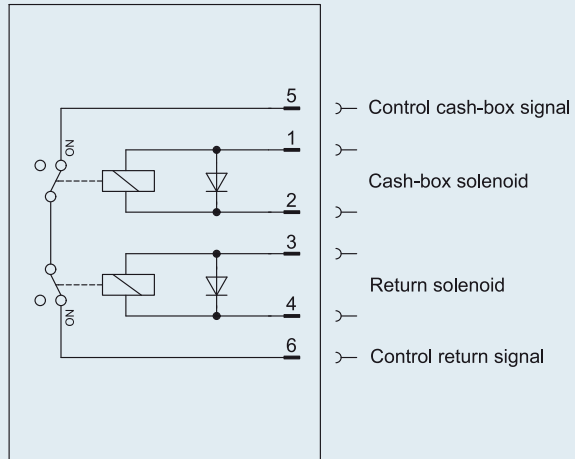
Function

The escrow and coin deflector currenza e² is used to collect all coins inserted by the customer until the customer decides either to buy a product or to cancel the vending process. As soon as the currenza e² receives a cash-box or return signal from the machine the two sorting flaps will be controlled using solenoids in order to direct the coins via the cash-box chute into the machine's cash-box if a product has been selected, or via the return chute into the return area if the vending process has been cancelled.

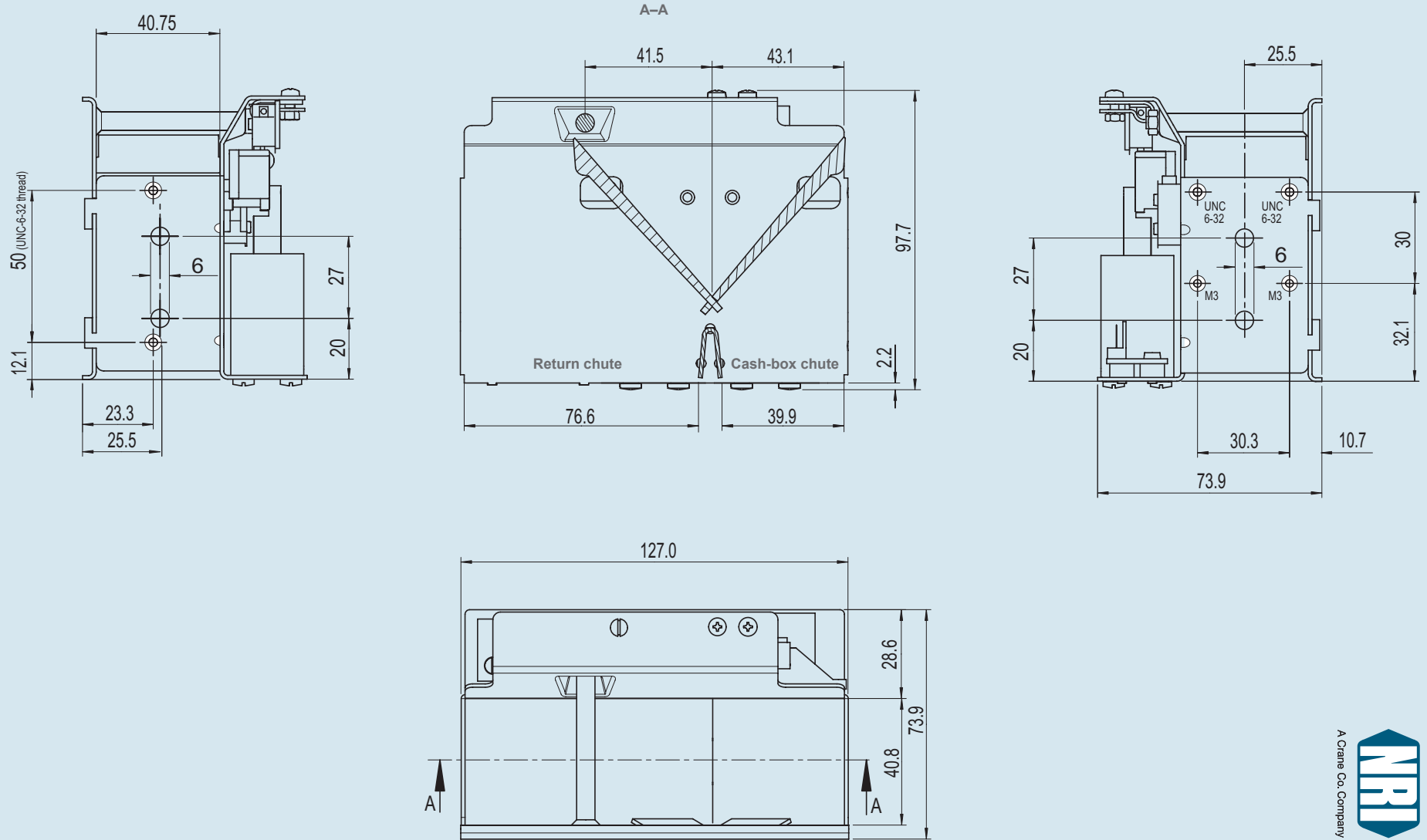
Technical data

Supply voltage	12V DC or 24V DC, ±10%
Current consumption	approx. 650mA at 12V approx. 350mA at 24V
Temperature range	-25°C to +75°C
Rel. humidity	Up to 90%
Condensation	Not permitted
Coin processing	All coins circulating Control signal, solenoids: 150ms min. Max actuations: 500,000 Capacity: 230g (approx. 30 x 0.50-EUR / 25 x 2.00-EUR coins)
Dimensions	Height: 97.7mm Width: 127.0mm Depth: 73.9mm
Mounting position	Vertical, max. deviation: ± 2°
Interface	6-pole Molex plug 75 395-6 for Molex socket 75 394-6 Pin 1 Cash-box solenoid switch Pin 2 Cash-box solenoid switch Pin 3 Return solenoid switch Pin 4 Return solenoid switch Pin 5 Control cash-box signal (150ms min.) Pin 6 Control return signal (150ms min.)

Connection diagram



Mounting dimensions





A Crane Co. Company

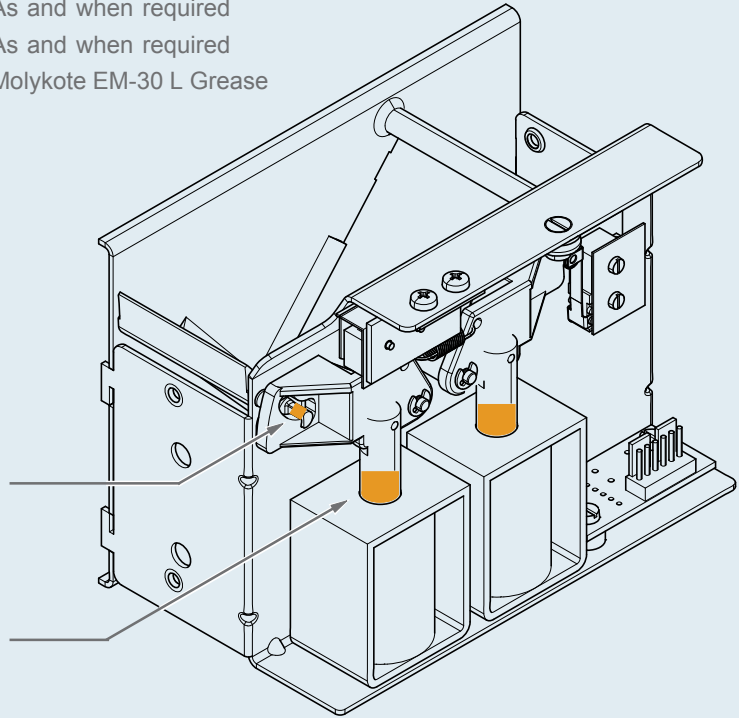
Maintenance

Cleaning interval: As and when required

Lubricating interval: As and when required

Lubricant: Molykote EM-30 L Grease

Lubricating points:



Please lubricate both solenoids and sorting flap pivots!

Additional technical documentation

All NRI product descriptions, e.g., for our coin validators are available in a compressed PDF format at www.nri24.com (→ Download).

12.08 UCo/JKr/Roe
Version 1.2
DB.E2-EN



National Rejectors, Inc. GmbH • Zum Fruchthof 6 • D-21614 Buxtehude
Phone: +49 (0) 41 61-729-0 • Fax: +49 (0) 41 61-729-115 • E-mail: info@nri24.com • Internet: www.nri24.com