

Product Specification

Model : LCDM-1000
(Cash Dispensing Unit)
Total Page : 8 pages (including cover)

Date : November, 2005
Version : V3.4(INT)



PULOON Technology Inc.

R e v i s i o n

Rev. No	Date	Description of Change	Page
V3.0(INT)	02.04.01		
V3.1(INT)	02.04. 24	Dip switch setting (4 th on the S1)	8 page
V3.2(INT)	02.07.04	Dip switch figure	8 page
V3.3(INT)	05.05.26	Flow_Control	7 page
V3.4(INT)	05.11.23	Rated Consuming Current	5 page

= Contents =

1. Preview and Features

- 1-1. Preview
- 1-2. Features

2. SPECIFICATION

- 2-1. General Specification
- 2-2. Electrical Features
- 2-3. Operation Environment

3. LAYOUT

4. CONNECTOR SPEC.

- 4-1. Power Connector
- 4-2. Communication Connector
- 4-3. Serial Communication Specification
- 4-4. Dip Switch Assignment

1. Preview and Features

1.1 Preview

LCDM-1000 is the cash-dispensing unit that can be applied to ATM and notes exchanger for retail market. The main function is to dispense the exact number of banknotes in the cassette by a customer's request and to transfer to the customer automatically.

1.2 Features

- 1) To separate notes by friction rollers
- 2) To prevent double dispensing case by mechanical double detect mechanism
- 3) To implement mold guides and paths to minimize jam occurrence
- 4) To maximize convenience in maintenance or clearing by opening guide structure
- 5) To realize so compact and slim size to be easily applied in even small space
- 6) To speed at a rate of 3 notes/sec
- 7) After power failure, bills on the path are rejected to reject tray when power turns on again (Auto reject function)

2. SPECIFICATION

2.1 General Specification

2.1.1 Denomination	1 Denomination
2.1.2 Cassette Capacity	approx 1,000 notes (123 mm)
2.1.3 Dispensing Speed	3 notes/sec
2.1.4 Usable Note Size	Width: 100 ~ 162mm Height: 62 ~ 78mm
2.1.5 Double Feeding Detection	Mechanical type
2.1.6 Reject Capacity	About 30 notes
2.1.7 Access Type	Front Access Type
2.1.8 Dimension (unit:mm)	310.2(D) x 225(H) x 270.5(W)
2.1.9 Near-end detection	About 30~50 notes
2.1.10 Bill-end detection	0 or Approx. 10~30 notes (by setting dip switch, refer to Chapter4.4)
2.1.11 Interface	RS 232C

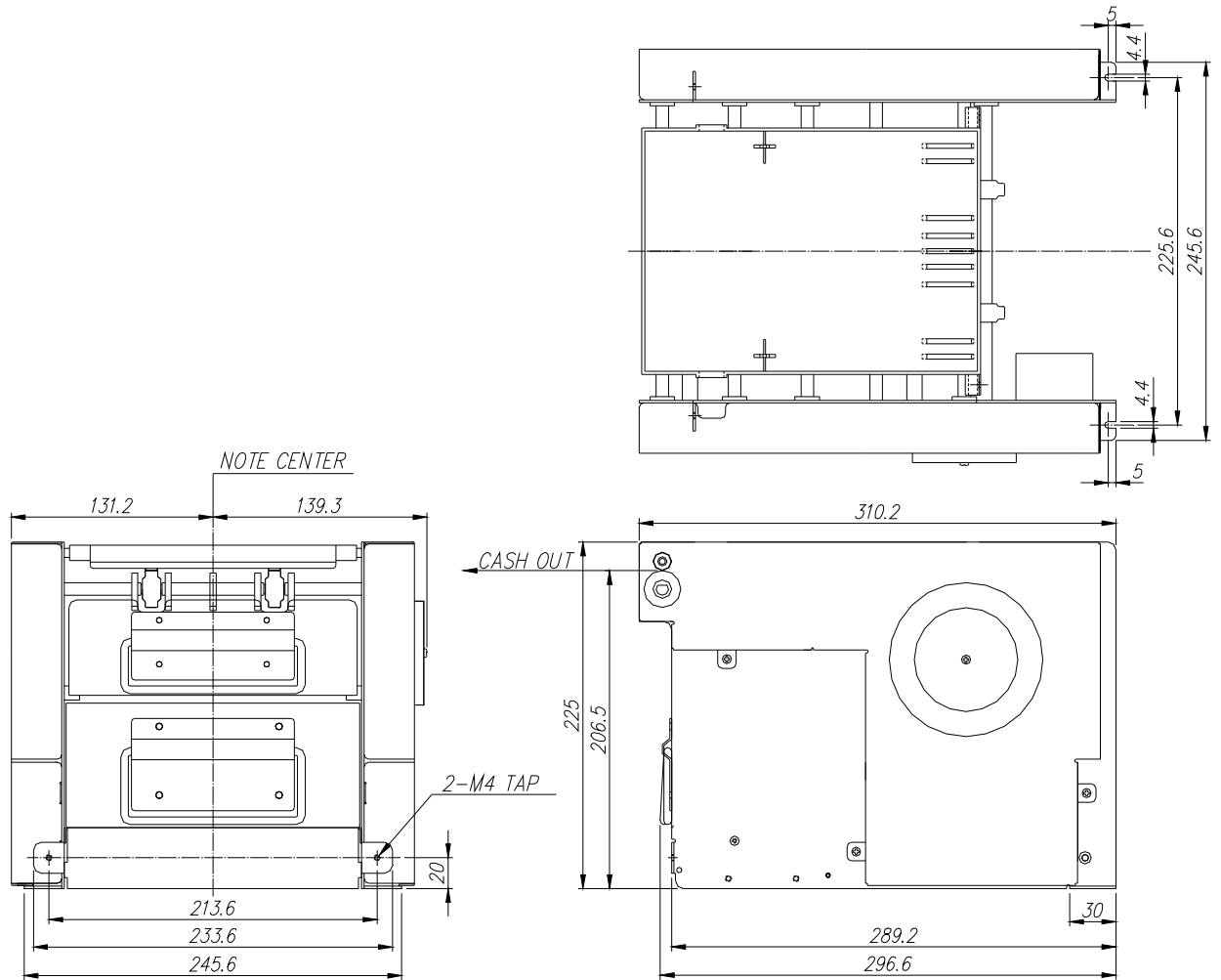
2.2 Electrical Features

2.2.1 Rated Voltage	DC24V \pm 10%
2.2.2 Rated Consuming Current	Load current, continuous MIN - 0.16A MAX - 1.4A Load current, peak Max - 3.6A

2.3 Operation Environment

2.3.1 Operation Temperature	+ 5 $^{\circ}$ C ~ +40 $^{\circ}$ C
2.3.2 Storage Temperature	-10 $^{\circ}$ C ~ +60 $^{\circ}$ C
2.3.3 Operation Humidity	20% ~ 80% RH
2.3.4 Storage Humidity	10% ~ 90% RH

3. LAYOUT



4. CONNECTOR SPEC.

4.1 Power Connector

The power connector is positioned at the bottom of the LCDM-1000 main controller.

Connector on Controller : MOLEX 5566VWO-02

Matching Connector : MOLEX 5557D-02

Pin No	Function
1	+24V
2	GND

4.2 Communication Connector

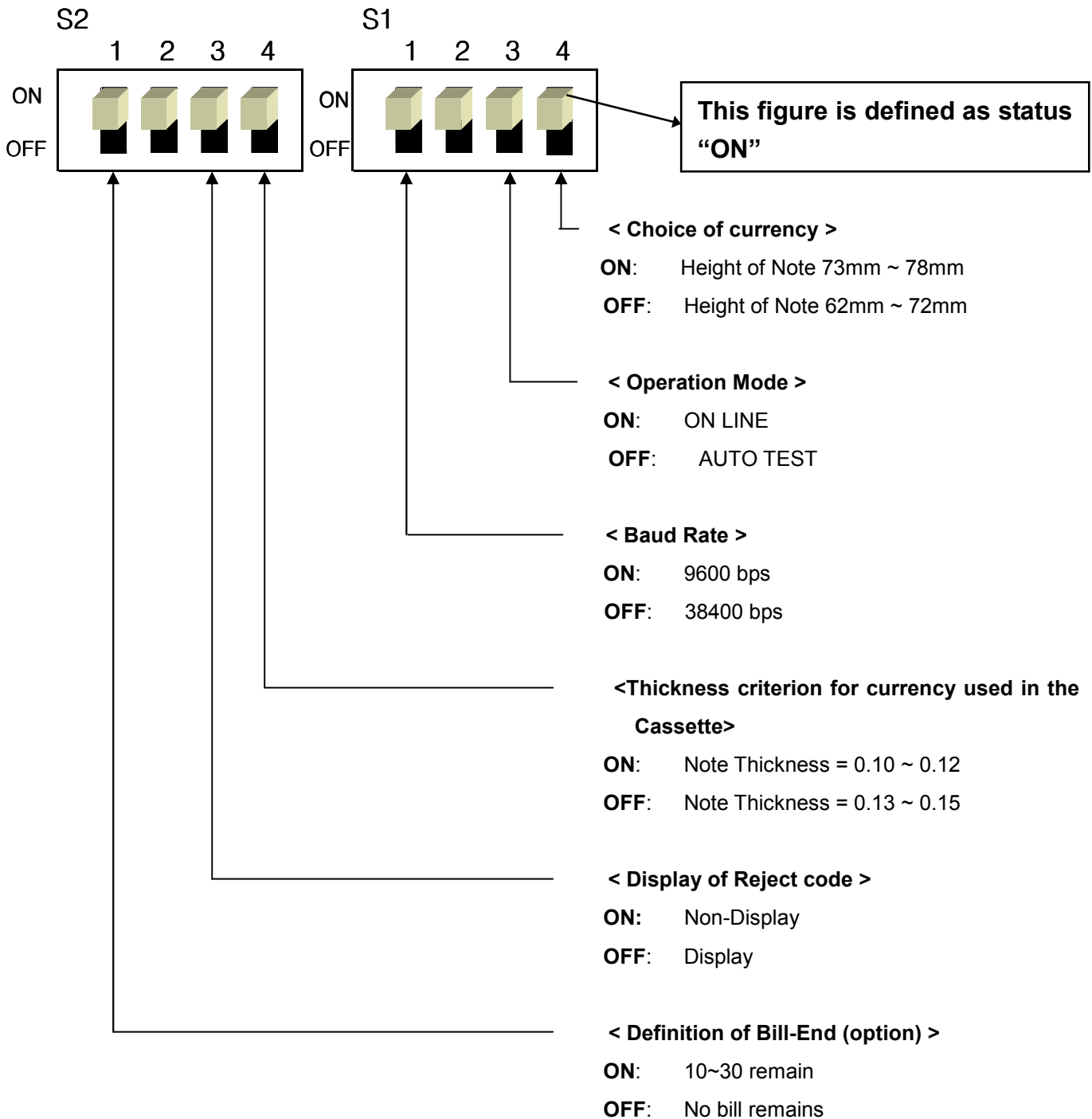
The communication connector is positioned at the bottom of the LCDM MAIN Controller PCB. It is 9-way and D-type connector.

Pin No	Name	Function
1		Not used
2	RXD	Received data
3	TXD	Transmitted data
4		Not used
5	GND	System ground
6		Not used
7		Not used
8		Not used
9		Not used
10		Not used

4.3 Serial Communication Specification

Baud rate	9600 bps
Data bits	8 bits
Parity	No parity
Stop bits	1 stop bit
Flow Control	None

4.4 Dip Switch Assignment



CAUTION !

Please turn on power again after changing the Dip Switch